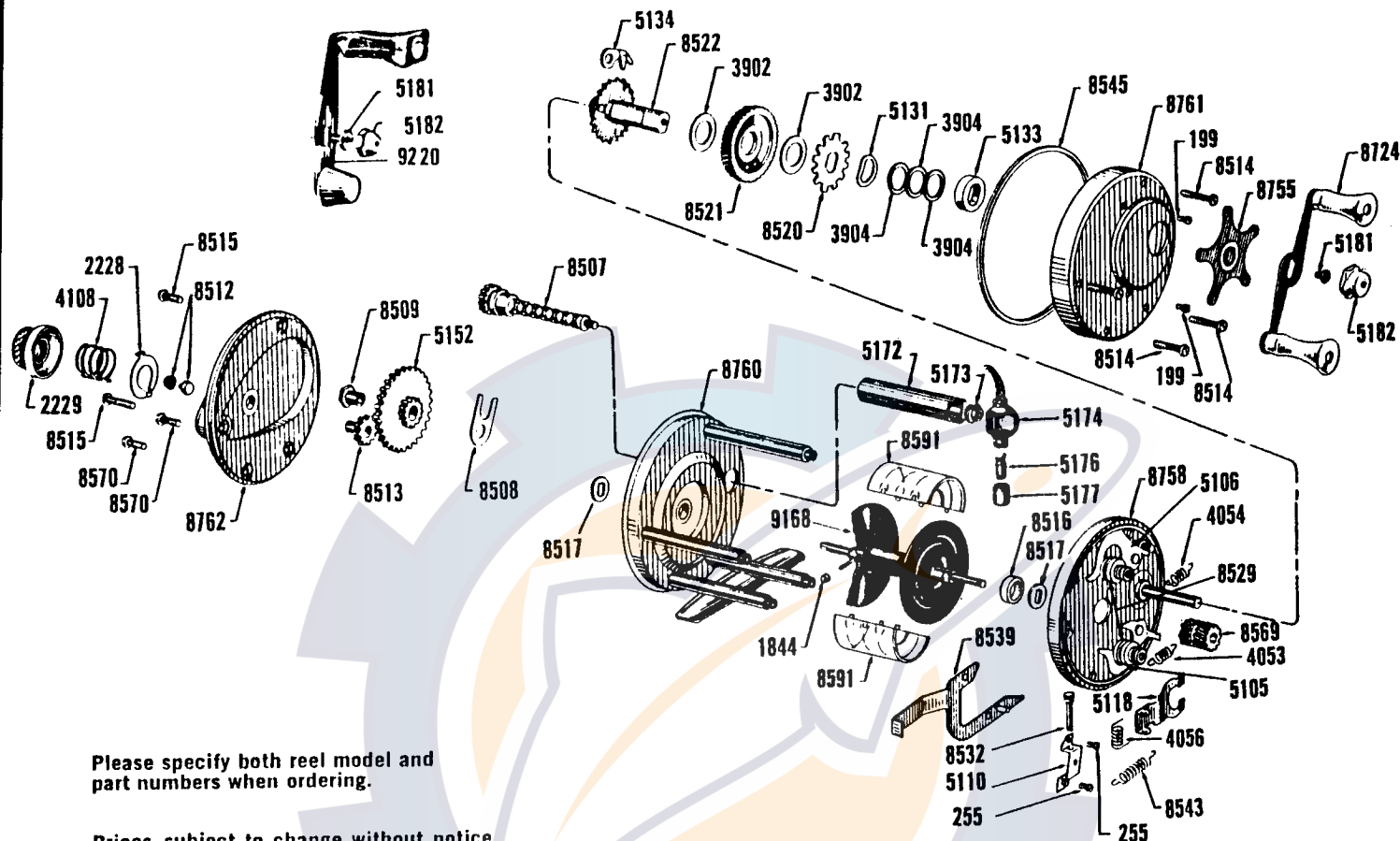




AMBASSADEUR 4000



Please specify both reel model and part numbers when ordering.

Prices subject to change without notice

No.	Part Name	Price	No.	Part Name	Price	No.	Part Name	Price
199	Brake Plate Screw	(each) .10	5134	Anti Reverse Dog	.65	8521	Drive Gear with Click Spring	1.20
255	Clutch Bracket Screw	(each) .10	5152	Cog Wheel	1.05	8522	Drive Shaft with Ratchet Wheel	2.60
1844A	Brake Block, Small	(each) .10	5172	Carriage Screw Guard	1.65	8529	Lock Arm Guide	(each) .20
1844B	Brake Block, Medium	(each) .10	5173	Carriage Screw Bearing	.10	8532	Pinion Yoke Shaft	.20
1844C	Brake Block, Large	(each) .10	5174	Line Carriage	2.50	8539	Free Spool Press Arm	.95
2228	Spool Cap Lock	.10	5176	Line Carriage Pawl	.60	8543	Press Arm Spring	.10
2229	Left Spool Cap	1.60	5177	Line Carriage Nut	.20	8545	Head Ring	3.10
3902	Base Drag Washer	(each) .10	5181	Handle Retaining Screw	.10	8569	Right Pinion Gear	1.05
3904	Drag Spacer	(each) .10	5182	Handle Lock Nut	.50	8570	Left Side Plate Screw	(each) .10
4053	Left Lock Arm Spring	.10	8507	Carriage Screw	2.10	8591	Arbor	.65
4054	Right Lock Arm Spring	.10	8508	Carriage Screw Yoke	.10	8724	Handle	2.50
4056	Pinion Yoke Spring	.10	8509	Cog Wheel Bearing	.10	8755	Star Wheel	2.00
4108	Spool Cap Spring	.10	8512	Spool Bearing	.25	8758	Brake Plate Assembled	4.50
5105	Left Lock Arm	.10	8513	Left Pinion Gear	.50	8760	Frame Assembly	5.85
5106	Right Lock Arm	.10	8514	Right Side Plate Screw	(each) .10	8761	Right Side Plate	1.20
5110	Clutch Bracket	.10	8515	Name Plate Screw	.10	8762	Left Side Plate	1.60
5118	Pinion Yoke	.50	8516	Spool Shaft Bearing	.50	9168	(8506) Spool, comp. (with cont.)	8.75
5131	Spring Washer	.10	8517	Oilite Bushing	(each) .50	9210	Spool Container	.60
5133	Drive Shaft Bearing	.25	8520	Click Wheel	.20	9220	Handle, Single knob (Accessory)	2.75

PARTS AND SERVICE AVAILABLE AT THE FOLLOWING REGIONAL FACTORY REPAIR DEPOTS:

FACTORY SERVICE
RODS, REELS AND PARTS

THE GARCIA SERVICE DEPARTMENT
329 ALFRED AVENUE
TEANECK, NEW JERSEY 07666

THE CONOLON CORPORATION
1111 EAST McFADDEN STREET
SANTA ANA, CALIFORNIA 92705

SILICOTE SALES DIVISION
520 WEST 14th AVENUE
OSHKOSH, WISCONSIN 54902

J. K. CLARK COMPANY
ACO SPORTSMEN SERVICE
13501 VAN DYKE
DETROIT, MICHIGAN 48234

REEL SERVICE AND PARTS

NATE BUELL SERVICE CORPORATION
5013 N.E. 42nd STREET
PORTLAND, OREGON 97218

HARRY C. MILLER CO., INC.
257 PARK AVENUE SOUTH
NEW YORK, NEW YORK 10010

SHERMAN LOYD SALES COMPANY
4737 GREENVILLE AVENUE
DALLAS, TEXAS 75206